

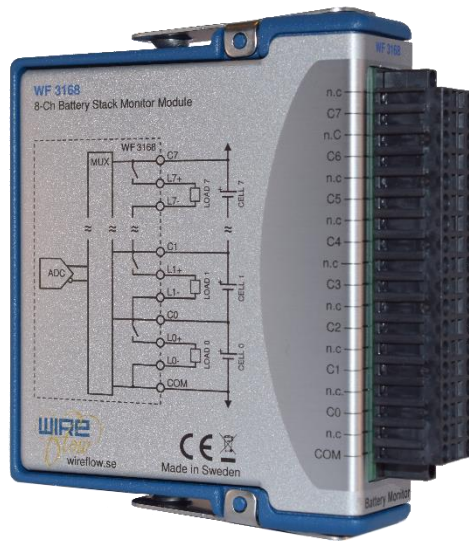


# WF 3168

C Series Battery Stack Monitor and Balancing Module

The WF 3168 from WireFlow is a complete battery monitoring and balancing device that includes a high voltage input multiplexer, ADC and balancing switches for each battery cell. The module can measure up to 8 series-connected cells with a voltage up to 15V per cell.

The module measurement circuit is galvanically isolated from the earth ground and provides up to 1000 VDC channel-to-earth ground isolation, making the module ideal for accurately monitoring large battery stacks. By using several WF 3168 modules it is possible to monitor every cell in a long string of series-connected cells



## Application areas

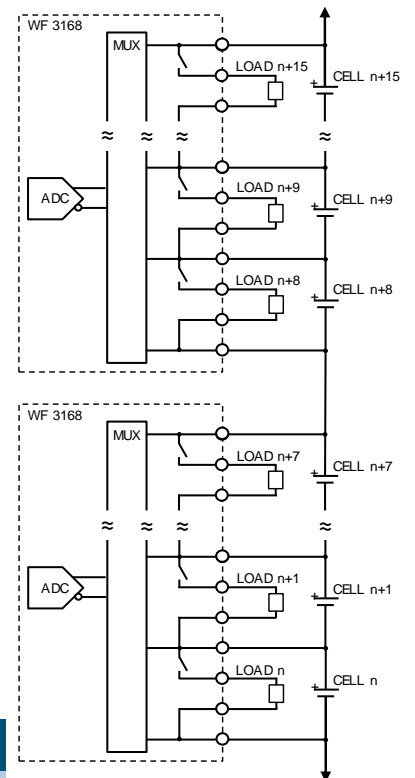
- Battery Backup Systems
- Battery Management System
- Electric and Hybrid Electric Vehicles
- High Power Portable Equipment
- Energy Storage Packs

## Features

- Measures up to 8 battery cells in series
- 8 discharge FETs for passive balancing
- Stackable architecture
- Supports multiple battery chemistries, such as 12V lead-acid and 3.7V Li-ion
- Galvanically isolated from earth ground
- 1000 VDC ch-earth isolation
- Also for negative grounding systems

## Specifications

Cell Voltage Range	15 V
Resolution	0.1 mV
Accuracy, typical	± 0.6 mV @ 10 V
Max sampling rate	33 Hz
Balancing current	1.5 A/Ch
Ch-Earth Isolation	1000 VDC



WireFlow AB

Theres Svenssons gata 10  
SE-417 55 Göteborg  
Sweden

www.wireflow.se

WF 3168 Data Sheet  
AB0005-062, rev E